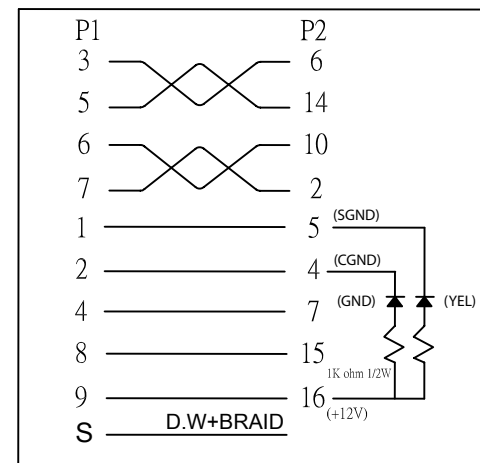


- △1. ANY OPEN, MISWIRING, SHORT, INTERMITTENT WIRING ARE NOT PERMITTED .
- △2. INSULATION RESISTANCE : 50M OHMS / 250V DC MIN .
- △3. ALL PIN LOAD TERMINAL , PIN 2,4,5,6,7,10,14,15,16 LOAD GOLD PIN 12110502 , PIN 1,3,8,9,11,12,13 LOAD TIN PIN 12047581 . AND PIN4,5 HIGH THAN OTHERS BY 1.9MM .

PIN OUT



9	Resistor : 1K ohm 5% 1/2W .
8	LEDS:OD=5.0MM LED, high-intensity LEDs (10,000 mcd+) Green/Yellow
7	Inner Molded : PVC , Color : Black .
6	Delphi pin . packard 12047581 (tin plated) & 12110502(gold flash) .
5	Outer Molded : 45P PVC , Color : Black .
4	SCREWS : 4.0*30.5MM(4-40UNC) , MOLDED BLACK .
3	P2 conn : OBD-IIA , NYLON 66+15% Glass fibre , UL94V-0 .BLACK .
2	P1 conn : DB9PIN male , Solder type , Inside Black . ping gold flash .
1	Cable:No-marking 24AWG(7/0.20TC)*2PAIRS+ 24AWG(7/0.20TC) *5C +AL/MY+D.W+BRAID , OD=6.7±0.1mm , Jacket PU , color: Black .
ITEM	DESCRIPTION

X ±	X° ±	OBD2CABLES.COM		
.X ±	.X° ±			
.XX ±	.XX° ±	UNITS	PART NO.	© Copyright 2008
		MM	148901	
				SCALE SHEET REV.
Property of OBD2Cables.com, cannot be used or reproduced without permission.				